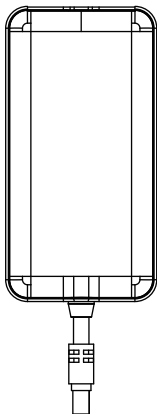




GTRAK4QB

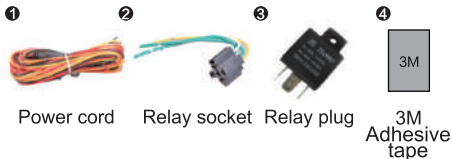
GPS TRACKER

Startup Guide



(Version 1.0)

1 Inclusions



1.1 Optional accessories

OBD4QB - OBD adapter with 1.5 meter power cable for easy installation (Sold separately)

1.2 Features

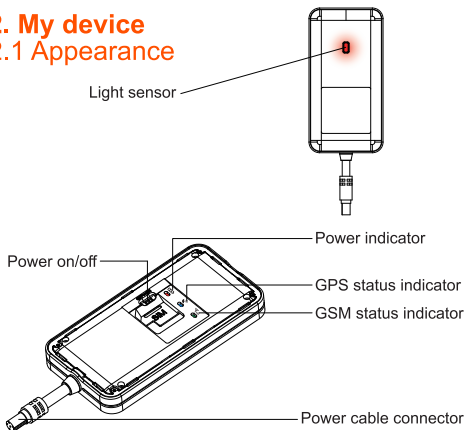
- Requires active Text/Data Mini SIM card (Mobile SIM) not included
- Works with all major networks (Telstra, Vodafone & Optus)
- Operating frequency WCDMA 850/900/1900/2100 MHz
- Quad band
- Real-time tracking
- Operating voltage 9-36 VDC
- 400mAh/3.7V battery
- Tamper alert
- Vibration/Displacement/Low battery/Power off alert
- Remote Fuel/Electricity cut-off
- ACC detection
- Geo-fence capable
- History route/playback
- Unit dimensions 80*45*13mm
- Weight 60g

1.3 Specifications

Operating Voltage	9-36VDC
Location Time	Cold Start: < 35s (open sky)
	Hot Start: < 2s (open sky)
Location Accuracy	< 10 meters
Operating Temperature	-20°C — +70°C
Dimension	85.0(L) x 45(W) x 13(H) mm
Weight	60g

2. My device

2.1 Appearance



2.2 LED indicators

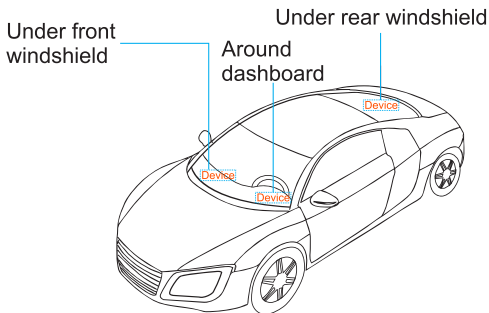
GPS LED Indicator - Blue	
Flashing (interval 0.1s)	Searching BD/GPS signal
Solid blue	BD/GPS positioned
OFF	GPS sleep or off

GSM LED Indicator - Green	
Quick flashing	GSM initializing
Slow flashing	Receive GSM signal normally
Solid green	Connected to GPRS network
OFF	No GSM signal or SIM card

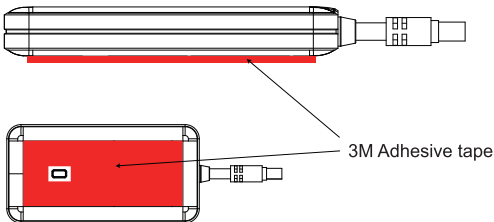
Power Status - Red	
Flashing	Low battery
Slow flashing	Full charge/Works normally
Solid Red	Charging
OFF	Low battery/Power off

3 Installation

3.1 Installation position



1. Please install the device upwards (LED indicators facing upward)
2. Place the device in a position that has the best view of the sky with the least amount of metal obstructions over the device. Mounting the unit under the dash trim panels if ideal provided that it is clear of major obstructions as mentioned above.
3. Use the supplied adhesive tape to fix the unit to a flat surface so that the light sensor is blocked as best of possible, ensure the correct orientation of the tape so that the sensor is exposed to the mounting surface. This sensor detects if the unit is being tampered with (unauthorized removal).

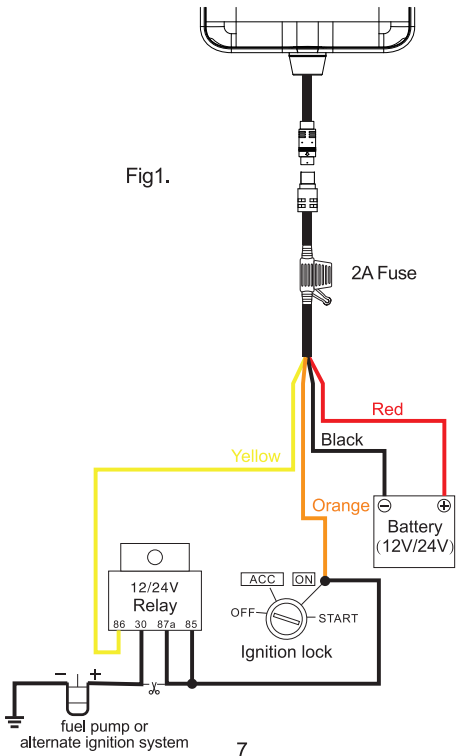


3.2 Wiring configuration (Fig1)

1. The standard power supply ranges from 9V to 36VDC. Please use the included cables when installing. The red line (Fig1) means positive side, black line means negative side.
2. ACC line (Orange line Fig1) connects to the vehicles ACC, detecting ignition.
3. The device's fuel and electricity control line (Yellow line Fig1) connects to relay's 86.

3.3 Wiring configuration using relay for Immobilization (Optional) (Fig2)

Fig1.



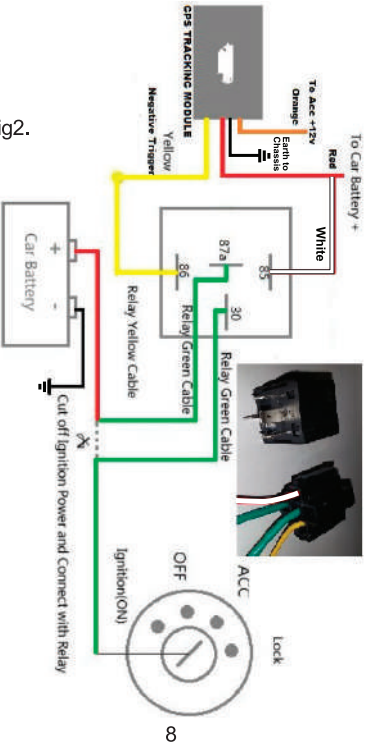
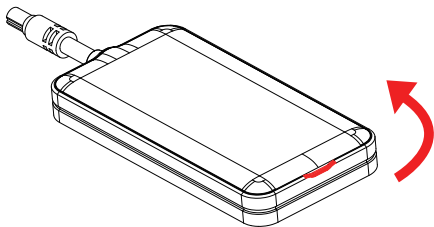


Fig2.

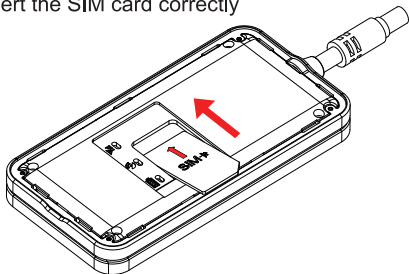
4 Installing the SIM card

1. Make sure the device is turned off before installing or removing the SIM card

1. Open the cover



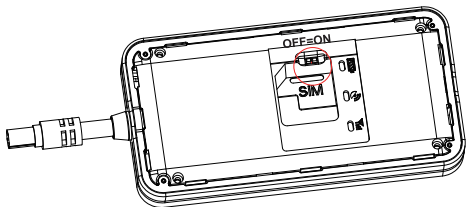
2. Insert the SIM card correctly



5 Device Operation

5.1 Power on

1. With the cover off, turn the battery switch to the on position. The internal power starts and the device will power on.



The internal power is used when the external power is cut off. The LED indicator lights will now activate.

5.2 Power off

To power off the device, disconnect the external power first and remove the front cover. Then turn the battery switch off.

6 Registering and using your tracker

6.1 Setup

To use your GPS tracker, go to the website gator.net.au. Here you can create an account or login to your account by user name and password. Up to 3 devices can be registered to one account

6.2 Information & settings

For more information and instructions on how to use the device go to gator.net.au/setup

7 Main Functions

7.1 Power cut-off alert

When the power to the device is cut off, it will activate the cut-off alarm (Battery switch should be in ON position)

7.2 Low battery alert

When the battery is low, the device will activate low battery alarm.

7.3 Displacement alert (Default off)

The device will send movement alarm when vehicle moves out of the pre-set distance (When ACC is off & GPS is fixed)

7.4 Vibration alert

When the device senses multiple vibrations, the vibration alarm will be triggered. If no ignition after 3 minutes (ACC off), the device will send vibration alarm message.

7.5 Tamper alert

When the light sensor detects unauthorized displacement from the original installation, the device will send alert to SOS number. Alert method from SMS, CALL or GPRS. Default method is GPRS.

7.6 Fuel/Electricity cut-off

If the vehicle is stolen, a fuel/electricity cut-off command will be sent. 1. For this to work make sure ACC line is correctly connected. 2. For the vehicles safety, the device will not cut-off fuel/electricity unless (a) BD/GPS is positioning. (b) Vehicle is static or its speed is less than 20KM/H. If the above requirements cannot be met, then the cut-off command will be delayed.

7.7 Restore fuel/electricity

When the alarm has been canceled, the user can send restore fuel/electricity command to restore vehicle power.

NOTE: To receive alert messages, a pre-set SOS number is essential for these main functions to work.

8 Common command list

Sending the following SMS commands in the right column to the devices phone number (refer your Sim cards phone number) will execute the respective functions. After a command is sent, the unit will reply via SMS to the phone number that sent the command.

Caution: Some of the settings can significantly alter the way the unit performs. Some settings, if done incorrectly, can prevent the unit working altogether.

1	Device status	STATUS#
2	Device coordinate	WHERE#
3	Location URL	URL#
4	Check version	VERSION#
5	Network setting	GPRSSET#
6	APN setting	1. APN, [apnname]# E.g: APN,internet# (Refer SIM provider) 2. APN, [apnname],[user],[pwd]# E.g: APN,internet,CLIENTE,AMENA#
7	Server setting	SERVER,mode,domain/IP,port,0# E.g. Server,1,log.gator.net.au,10202,0#
8	SOS setting	1. Add SOS number: SOS,A,number 1,number 2,number 3# 2.Delete subjected sequence of SOS number: SOS,D,number sequence 1, number sequence 2, number sequence 3# E.g. SOS,D,1,2,3# 3. Delete the SOS number : SOS,D,phone number# 4. Query SOS number : SOS#
9	GPS data upload time interval	TIMER,T1,T2# T1=5~18000 seconds ; ACC ON upload interval ; default value : 10 T2=5~18000 seconds ; ACC OFF upload interval ; default value : 10 (when GPS is not sleep)

10	GPS data upload distance interval	DISTANCE,D# D=0、50~10000 meter ; Distance interval ; default value : 300, unit : meter ;
11	Delayed defense setting	DEFENSE,A# A:1~60 minutes, set delayed defense, default value : 10 minutes
12	Vibration alarm (default OFF)	1. SENALM,ON# 2. SENALM,OFF#
13	Displacement alarm setting (default OFF)	1. MOVING,ON,R,M# R=100~1000; Displacement radius, unit: meter M=0-2; Alert way 0:GPRS, 1:SMS+GPRS ; 2: GPRS+SMS+CALL E.g. MOVING,ON,200,2# 2. MOVING,OFF#
14	Set center number	Set center number : CENTER,A,mobile number# Delete center number: CENTER,D#
15	Power/fuel/ign	RELAY,A# A=0/1 0= restore fuel/ign; 1=cut off fuel/ign Default value : 0 E.g. RELAY,1#
16	Restart	RESET# Device restart 20 seconds after receiving this command

9 Troubleshooting

If you are having trouble with your device, try these troubleshooting procedures before contacting a service professional.

Problems	Causes	Solutions
Unable to locate/ unable to connect to network	Poor signal reception due to vehicle location or device installation location. SIM card not active or requires recharging.	Move the vehicle to an open area, change the location of the device.
Unable to boot	Low battery	Charge the device battery
No power off alarm	Built-in battery is off	Turn it on
Vehicle fails to start or stops during driving	The trackers fuel cut relay may be active	Check fuel cut of status setting and set accordingly or Check the relay and its wiring. If you are still having problems, Bridge (short) pins 87 and 84A and 30 of the relay holder. If the fault still persists it is not related to this installation
Tracker does not respond to SMS commands	Sim card is not active/activated or the device is located in a bad cellular signal area	Check the signal indicator on the device if ok check that the SIM card is active
Tracker works for location information via SMS where# command but is not visible on the web server	Server address and port settings are not correct. These setting should be correct for use with the gator web server	Send the following command via SMS to your device if you are using the gator web server. server,1,log.gator.net.au,10202,0# if you are using another server then you will need to contact the service provider for the correct URL and port settings

10 IMEI/SIM number safeguard

Copy the IMEI/I.D. number (10-digit bar code of the device), and the SIM card number and place here for safe keeping before installing the device.

NOTE: DO NOT LEAVE THIS INFORMATION INSIDE THE VEHICLE (for security reasons)

IMEI number

— — — — —

SIM number

Retailer

Date of purchase

11 Technical assistance

If you need assistance setting up or using your Gator product now or in the future, call Gator Support Australia.

TEL: 03 – 8587 8898

FAX: 03 – 8587 8866

Mon-Fri 9am – 5pm AEST



Please retain this user guide for future reference. If you would like to download a digital copy of this manual, or other Gator manuals/software, please visit the website gatordriverassist.com/GTRAK4QB

This manual is considered correct at time of printing but is subject to change. For latest manuals and updates refer to the website.

Copyright © 2019 by TDJ Australia All rights reserved.

No part of this publication may be reproduced, distributed, or transmitted in any form or by any means, including photocopying, recording, copying or other electronic or mechanical methods, without the prior written permission of the author.